

Specifications

备注(Remark)

1.材料(MATERIAL)

胶芯:PA6T+30%G.F UL94V-0,颜色:黑色.

Housing: PA6T+30%G.F UL94V-0,Color: Black ,

端子:磷/青铜, 镍底30u"MIN,表面镀金0.8u"MIN

Contact: Phosphor ,0.8u"MIN GOLD PLATING OVERALL
30u" MIN NICKEL UNDERPLATING OVER ALL

2.特性(characteristics):

额定电流: 3AMP

Raring Current: 3AMP.

接触阻抗: 20 MΩ MAX.

Contact Resistance: 20 MΩ MAX.

绝缘阻抗: 1000 MΩ MIN.

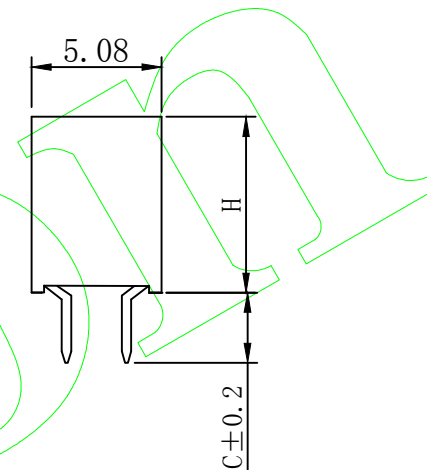
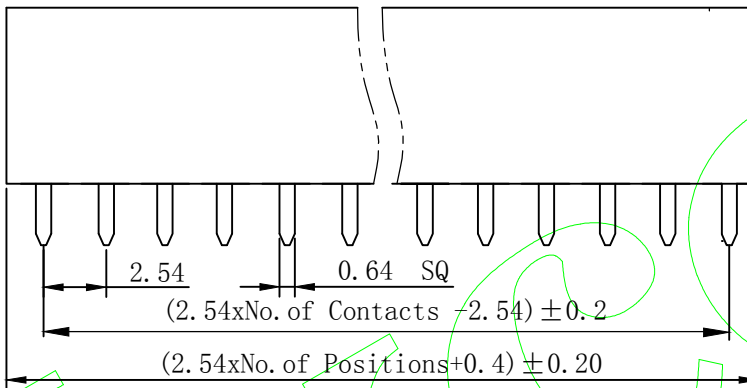
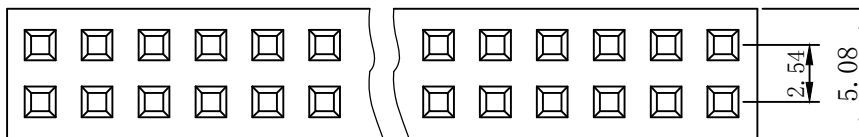
Insulating Resistance: 1000 MΩ.MIN.

耐电压: AC 500V.

Withstanding Voltage:AC 500V.

温度范围:-40°C to+105°C

Temperature Range:-40°C to+105°C



Ordering Information

F1XX-12 XX XX X SU X 0

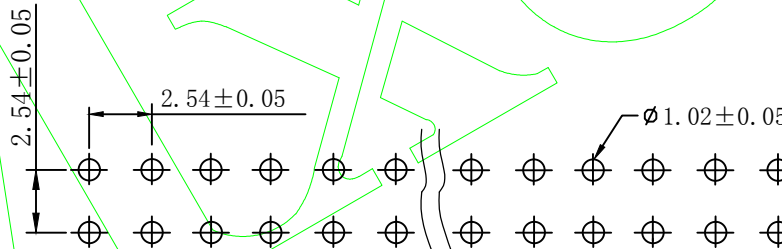
HEIGHT OF HOUSING
50 :5.0mm
71 :7.1mm
85 :8.5mm

NO.OF PINS PER ROW
2~40P

INSULATOR MATERIAL:
A :PBT
B :PA6T
C :PA9T
D :LCP

PACKING:
A:PE Bag
B:Tape & Reel
C:Tube
D:Tube+CAP
E:Tray

Contact Plating
Full Of Gold Semi-gold
A0=0.8u B0=0.8U"
A1=1u B1=1U"
A2=1.5u B2=1.5U"
A3=2u B3=2U"
A4=3u B4=3U"



PCB LAYOUT

Dimension antitheses list

ITEM	A	H			C	
Standard		5.0	7.1	8.5	3.0	3.2
Alternate						

REV	DATE	MODIFICATION DESCRIPTION	CHANGE	APPROVE	operatop	SCALE	Fit	深圳市镁旺电子科技有限公司 Shenzhen Meiwang Electronic Technology Co., Ltd.			
					XX ±0.25	UNIT	MM	PART NO. F1XX-12XXXXXSUX0			
					XX ±0.20	SIZE	A4	DFSIGH	江泽富	TITLE: 2.54双排母 U型 180度	
					XXX ±0.10	SHEET	1/1	CHECK		Customer No.	
					Angle ±3°	PROJ.	APPROLE				
					DIM TOL						

